

CODE EXPLANATION

CI1 - 0.4 / 3000 - SMA / SMA - GM M

FIBER CORE DIAMETER "FD"
CUSTOMER DEFINED
IN [MILIMETERS] MAX. 2MM

TOTAL LENGTH "TL"
CUSTOMER DEFINED
IN [MILIMETERS]

CONNECTOR TYPE

SMA	STANDARD SMA 905
SMAF	HIGH POWER SMA
FC/PC	STANDARD FC/PC
ST	STANDARD ST
DIN	STANDARD DIN
CD	CUSTOMER DEFINED

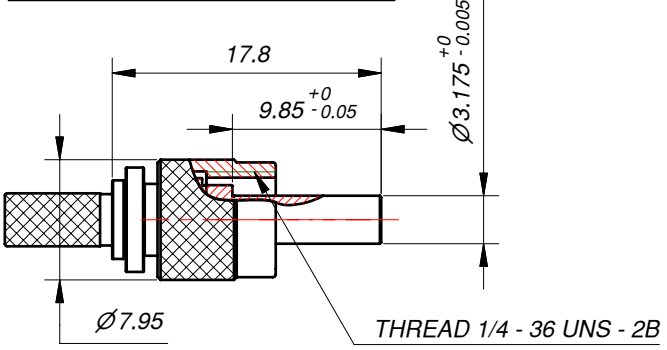
JACKETING TYPE

N	NONE
GM	GALVANIZED STEEL PVC MONOCOIL
M	METAL
MP	METAL + PVC
S	SILICONE
PT	PTFE
CF	C-FLEX
K	KEVLAR
P	PVC
CD	CUSTOMER DEFINED

BEND PROTECTION

N	NONE
M	METAL
P	PLASTIC
B	BOOT (RUBBER)
H	HEAT SHRINK TUBE

STANDARD SMA-905 CONNECTOR



MULTIMODE OPTICAL FIBER SELECTION:

- POSSIBLE FIBER TRANSMISSION IN THE RANGE:
 ZLUV 180 - 1200 NM (NA=0.22; 0.26; LOWER NA ON REQUEST).
 ZLWF 400 - 2200 NM (NA=0.22; 0.26; LOWER NA ON REQUEST).
 ZLWFG 400-2200 NM (NA=0.37) GERMANIUM DOPED.
 ZLPUV 250 - 1100 NM (NA=0.37).
 ZLPWF 400 - 2200 NM (NA=0.37).
 ZLHWF 400 - 1600 NM (NA=0.37; 0.48).
 ZLHUV 300 - 1100 NM (NA=0.37; 0.48).
- STRESS PROOF LOAD 100KPSI.
- FOR OTHER FIBER PARAMETERS PLEASE LOOK FIBER CATALOG.

TITLE: CI1 - FIBER CABLE STANDARD CABLE		
SIZE: A3	DRAWING NO.: CI1-001-00	REV.: A
FILE NAME: CI1-001-00.idw	ITEM NO.:	
COMPANY: Z-LIGHT, LTD.	CODE NO.:	
HOME PAGE: HTTP://WWW.Z-LIGHT.LV	ORDER NO.:	
SCALE: DO NOT SCALE	DIMENSIONS ARE IN MM	SHEET 1 OF 1