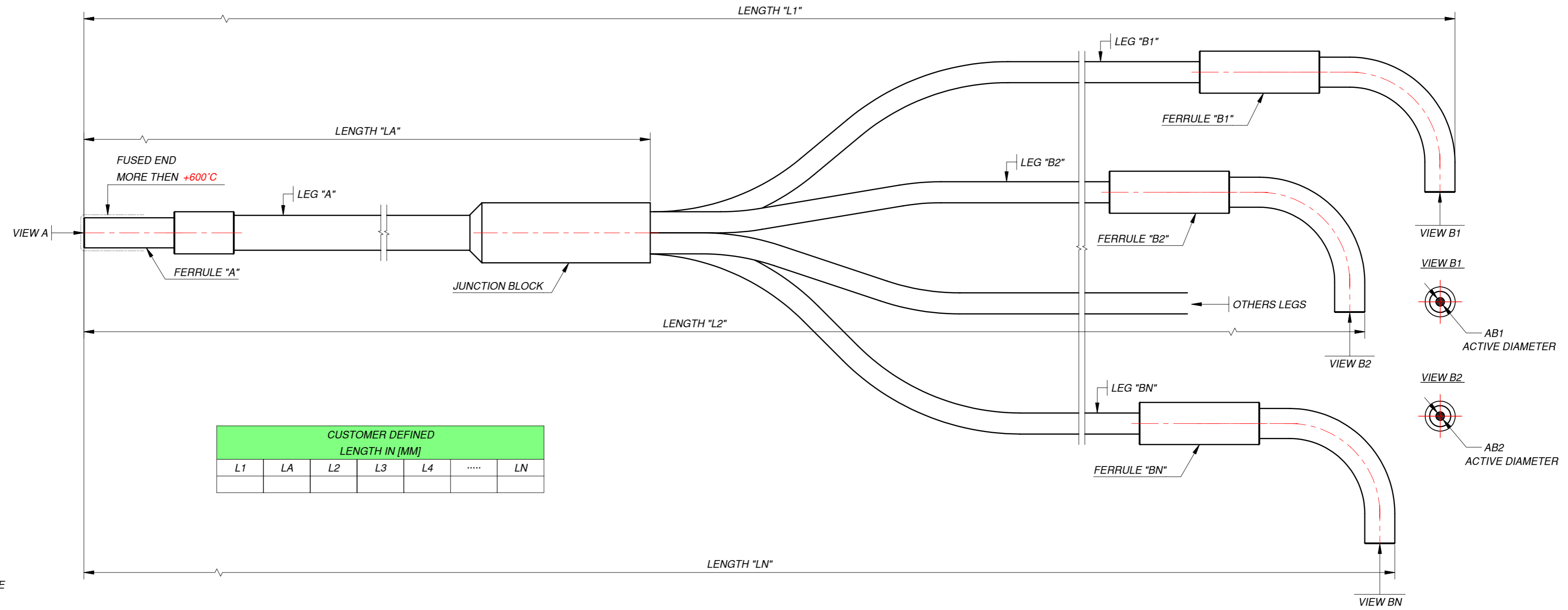
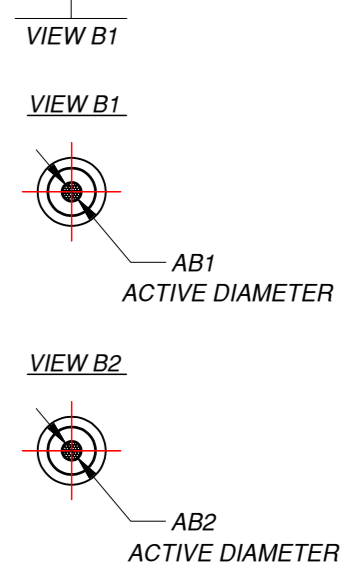
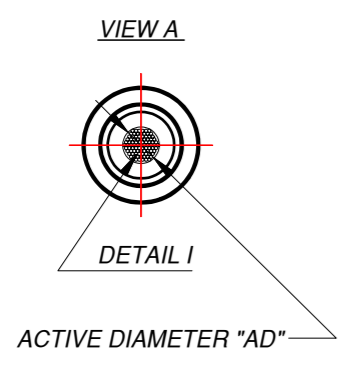


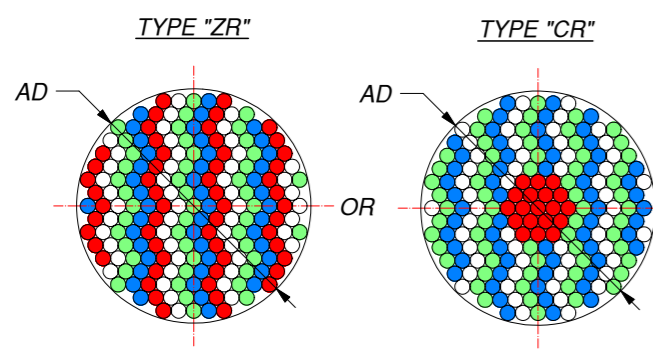
H
G
F
E
D
C
B
A



CUSTOMER DEFINED LENGTH IN [MM]						
L1	LA	L2	L3	L4	LN



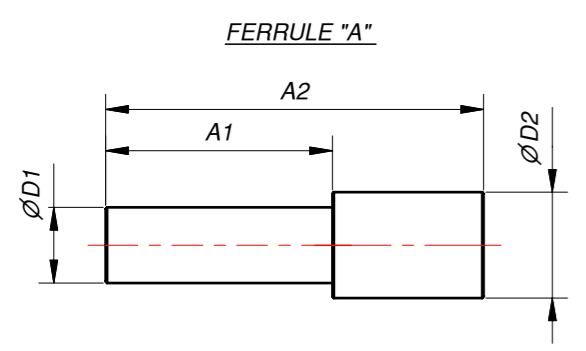
DETAIL I
RANDOMIZATION TYPE



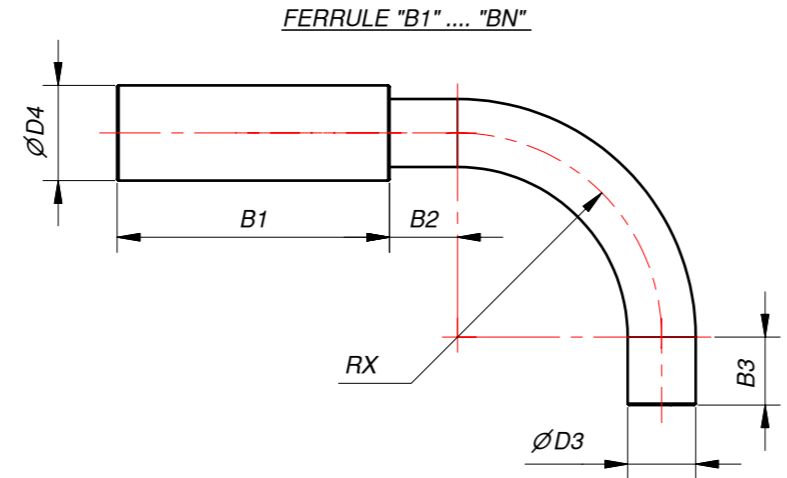
EXAMPLE FOR 4 LEGS:
 RED FIBERS GO TO LEG "B1"
 WHITE FIBERS GO TO LEG "B2"
 BLUE FIBERS GO TO LEG "B3"
 GREEN FIBERS GO TO LEG "B4"

CUSTOMER DEFINED FIBER DIVISION	
PERCENTS [%] OF FIBERS	FIBER DIVISION
	FROM LEG "A" GO TO LEG "B1"
	FROM LEG "A" GO TO LEG "B2"
	FROM LEG "A" GO TO LEG "B3"
	FROM LEG "A" GO TO LEG "B4"

EXAMPLE:
 25% FIBERS FROM LEG "A" GO TO LEG "B1"
 25% FIBERS FROM LEG "A" GO TO LEG "B2"
 25% FIBERS FROM LEG "A" GO TO LEG "B3"
 25% FIBERS FROM LEG "A" GO TO LEG "B4"



CUSTOMER DEFINED DIMENSIONS FOR FERRULE "A" IN [MM]			
∅D1	∅D2	A1	A2



CUSTOMER DEFINED DIMENSIONS FOR FERRULE "B1" AND "B2" IN [MM]					
∅D3	∅D4	B1	B2	B3	RX

CODE EXPLANATION

MLFB4-3.1 / 2000 / / 4 R S3 - GM

ACTIVE DIAMETER "AD" IN [MM] CUSTOMER DEFINED: 3.1
 LENGTH "L1" IN [MM] CUSTOMER DEFINED: 2000
 RANDOMIZATION: / (TYPE "ZR", "CR", "CD")
 NUMBER OF LEGS CUSTOMER DEFINED: 4
 FIBERS JACKET ARE REMOVED: R (NOT REMOVED, REMOVED)
 FERRULES MATERIAL: S3 (S3: STAINLESS STEEL, A: ALUMINIUM, BA: BLACK ALUMINIUM, P: PLASTIC, CD: CUSTOMER DEFINED)
 JACKETING TYPE: GM (P: PVC, GM: GALVANIZED STEEL, PVC MONOCOIL, SS: STAINLESS STEEL, S: SILICONE, CD: CUSTOMER DEFINED)

- MULTIMODE OPTICAL FIBER SELECTION:**
- POSSIBLE FIBER TRANSMISSION IN THE RANGE:
 - ZLUV 180 - 1200 NM (NA=0.22; 0.26; LOWER NA ON REQUEST).
 - ZLWF 400 - 2200 NM (NA=0.22; 0.26; LOWER NA ON REQUEST).
 - ZLPUV 250 - 1100 NM (NA=0.37).
 - ZLPWF 400 - 2200 NM (NA=0.37).
 - STRESS PROOF LOAD 100KPSI.
 - FOR OTHER FIBER PARAMETERS PLEASE LOOK FIBER CATALOG.

FERRULES COULD BE MADE IN ACCORDANCE WITH CUSTOMER DRAWINGS

TITLE: MLFB4 - FIBER BUNDLE FUSED MULTI LEG - BUNDLE		
SIZE: A2	DRAWING NO.: MLFB4-001-00	REV.: A
FILE NAME: MLFB4-001-00.idw	ITEM NO.:	
COMPANY: Z-LIGHT, LTD.	CODE NO.:	
HOME PAGE: HTTP://WWW.Z-LIGHT.LV	ORDER NO.:	
SCALE: DO NOT SCALE	DIMENSIONS ARE IN MM	SHEET 1 OF 1