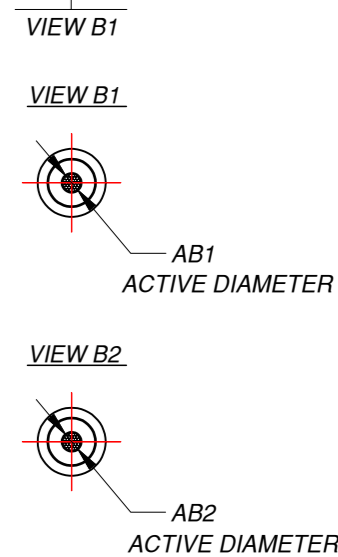
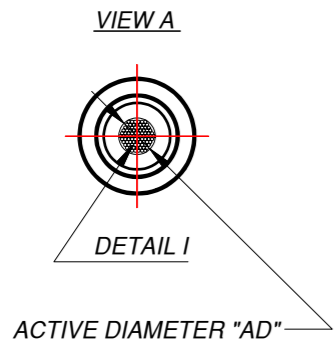
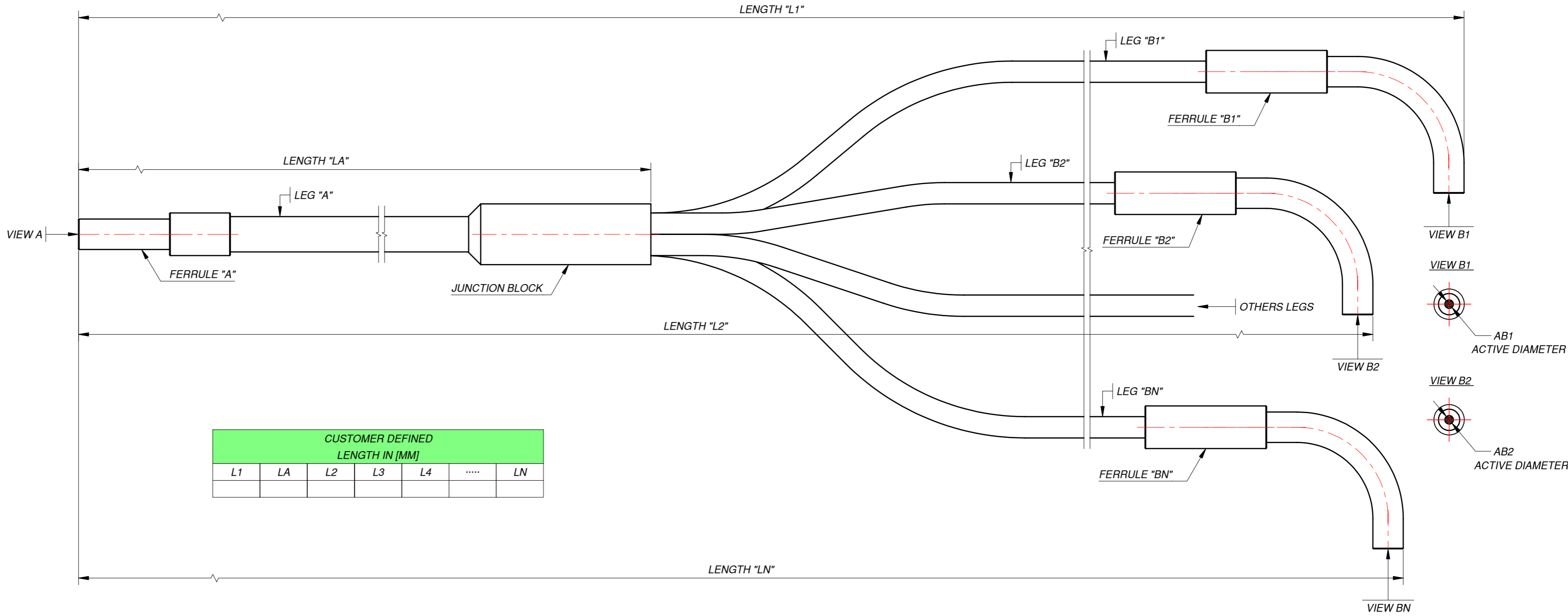
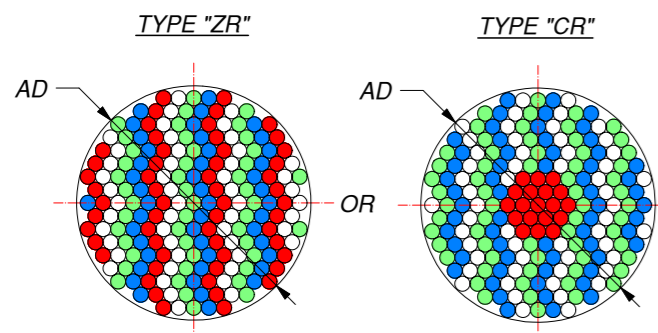


H
G
F
E
D
C
B
A



DETAIL I
RANDOMIZATION TYPE

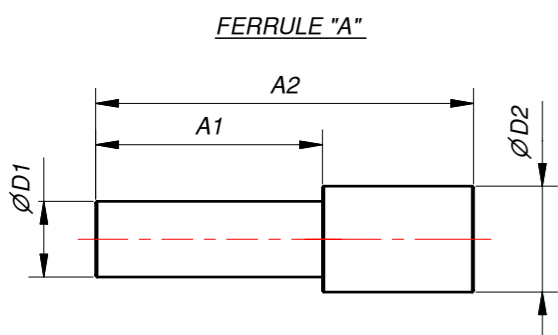


EXAMPLE FOR 4 LEGS:
 RED FIBERS GO TO LEG "B1"
 WHITE FIBERS GO TO LEG "B2"
 BLUE FIBERS GO TO LEG "B3"
 GREEN FIBERS GO TO LEG "B4"

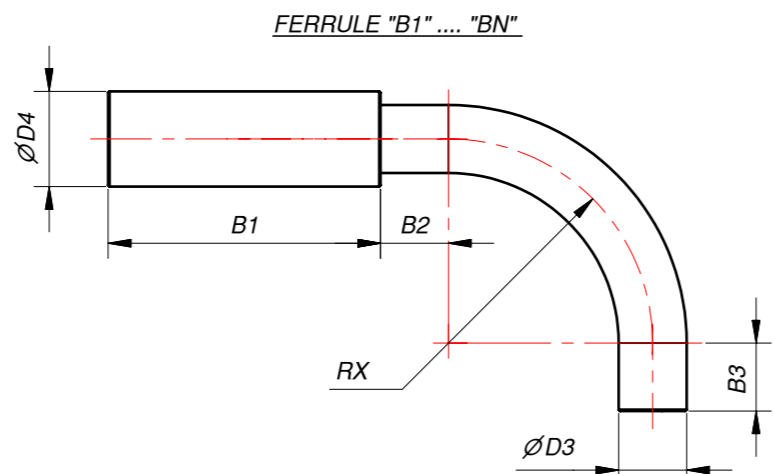
CUSTOMER DEFINED FIBER DIVISION	
PERCENTS [%] OF FIBERS	FIBER DIVISION
	FROM LEG "A" GO TO LEG "B1"
	FROM LEG "A" GO TO LEG "B2"
	FROM LEG "A" GO TO LEG "B3"

	FROM LEG "A" GO TO LEG "BN"

EXAMPLE:
 25% FIBERS FROM LEG "A" GO TO LEG "B1"
 25% FIBERS FROM LEG "A" GO TO LEG "B2"
 25% FIBERS FROM LEG "A" GO TO LEG "B3"
 25% FIBERS FROM LEG "A" GO TO LEG "B4"



CUSTOMER DEFINED DIMENSIONS FOR FERRULE "A" IN [MM]			
∅D1	∅D2	A1	A2



CUSTOMER DEFINED DIMENSIONS FOR FERRULE "B1" AND "B2" IN [MM]					
∅D3	∅D4	B1	B2	B3	RX

FERRULES COULD BE MADE IN ACCORDANCE WITH CUSTOMER DRAWINGS

CODE EXPLANATION
MLB6-3.1 / 2000 / / 4 R S3 - GM

ACTIVE DIAMETER "AD" IN [MM]
 CUSTOMER DEFINED
 LENGTH "L1" IN [MM]
 CUSTOMER DEFINED

RANDOMIZATION	
	TYPE "ZR"
CR	TYPE "CR"
CD	CUSTOMER

NUMBER OF LEGS
 CUSTOMER DEFINED

FIBERS JACKET ARE REMOVED	
	NOT REMOVED
R	REMOVED

FERRULES MATERIAL	
S3	STAINLESS STEEL
A	ALUMINIUM
BA	BLACK ALUMINIUM
P	PLASTIC
CD	CUSTOMER DEFINED

JACKETING TYPE	
P	PVC
GM	GALVANIZED STEEL PVC MONOCOIL
SS	STAINLESS STEEL
S	SILICONE
CD	CUSTOMER DEFINED

MULTIMODE OPTICAL FIBER SELECTION:

- POSSIBLE FIBER TRANSMISSION IN THE RANGE:
 ZLUV 180 - 1200 NM (NA=0.22; 0.26; LOWER NA ON REQUEST).
 ZLWF 400 - 2200 NM (NA=0.22; 0.26; LOWER NA ON REQUEST).
 ZLPUV 250 - 1100 NM (NA=0.37).
 ZLPWF 400 - 2200 NM (NA=0.37).
- STRESS PROOF LOAD 100KPSI.
- FOR OTHER FIBER PARAMETERS PLEASE LOOK FIBER CATALOG.

TITLE: MLB6 - FIBER BUNDLE MULTI LEG - BUNDLE		
SIZE: A2	DRAWING NO.: MLB6-001-00	REV.: A
FILE NAME: MLB6-001-00.idw	ITEM NO.:	
COMPANY: Z-LIGHT, LTD.	CODE NO.:	
HOME PAGE: HTTP://WWW.Z-LIGHT.LV	ORDER NO.:	
SCALE: DO NOT SCALE	DIMENSIONS ARE IN MM	SHEET 1 OF 1