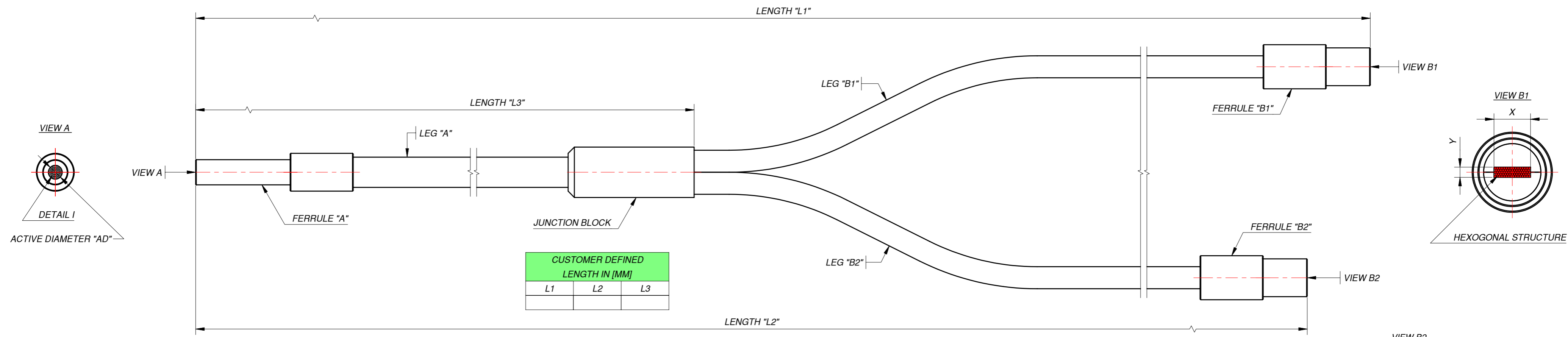
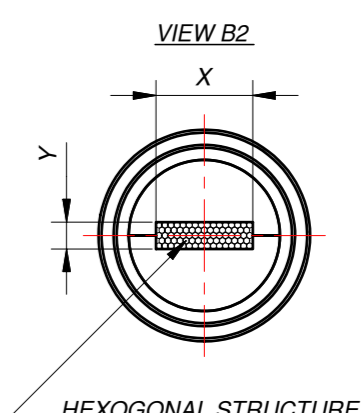
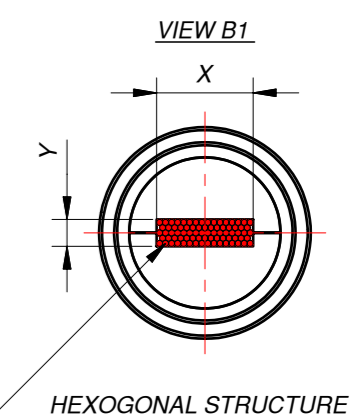
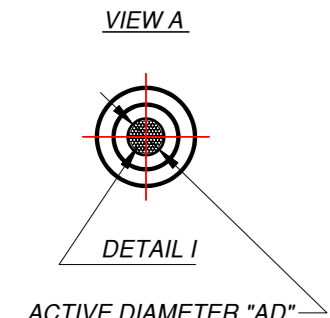


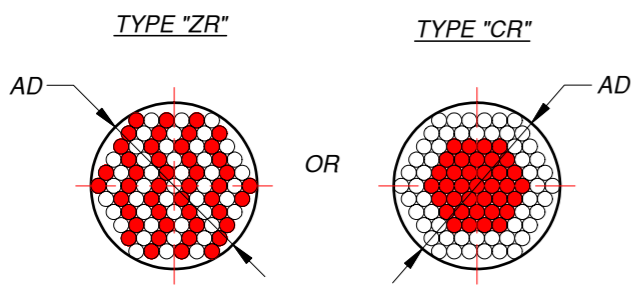
H
G
F
E
D
C
B
A



CUSTOMER DEFINED LENGTH IN [MM]		
L1	L2	L3



DETAIL I
RANDOMIZATION
RED FIBERS GO TO LEG "B1"
WHITE FIBERS GO TO LEG "B2"

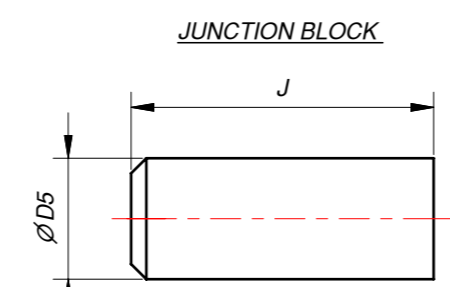
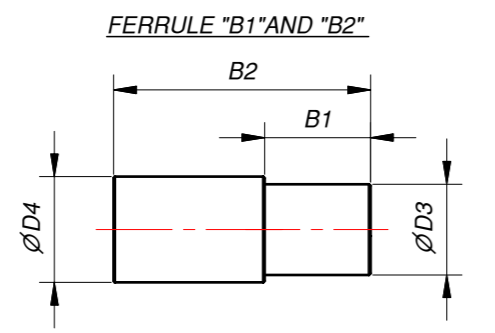
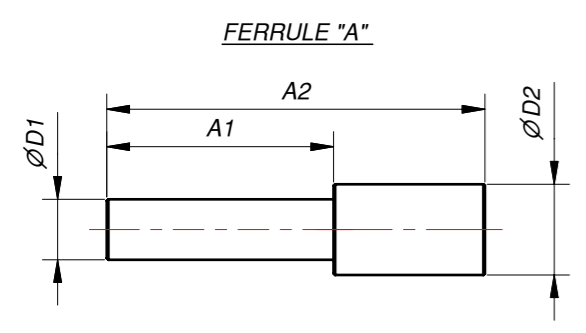


CUSTOMER DEFINED FIBER DIVISION	
PERCENTS [%] OF FIBERS	FIBER DIVISION
	FROM LEG "A" GO TO LEG "B1"
	FROM LEG "A" GO TO LEG "B2"

EXAMPLE:
60% FIBERS FROM LEG "A" GO TO LEG "B1"
40% FIBERS FROM LEG "A" GO TO LEG "B2"

CODE EXPLANATION
YB2- 3.2 X 0.89 / 1200 / / 50 R S3 GM

DIMENSIONS "X" AND "Y" IN [MM] CUSTOMER DEFINED	LENGTH "L1" IN [MM] CUSTOMER DEFINED	PERCENTS OF FIBERS FROM LEG "A" GO TO LEG "B1" CUSTOMER DEFINED	FIBERS JACKET ARE REMOVED	FERRULES MATERIAL	JACKETING TYPE
			NOT REMOVED R REMOVED	S3 STAINLES STEEL A ALUMINIUM BA BLACK ALUMINIUM P PLASTIC CD CUSTOMER DEFINED	P PVC GM GALVANIZED STEEL PVC MONOCOIL SS STAINLESS STEEL S SILICONE CD CUSTOMER DEFINED



CUSTOMER DEFINED DIMENSIONS FOR FERRULE "A" IN [MM]			
$\phi D1$	$\phi D2$	A1	A2

CUSTOMER DEFINED DIMENSIONS FOR FERRULES "B1" AND "B2" IN [MM]			
$\phi D3$	$\phi D4$	B1	B2

JUNCTION BLOCK DIMENSIONS IN [MM]		
ACTIVE DIAM. AD	$\phi D5$	J
0 - 2.5	8	20
2.5 - 4	13	25
4 - 6	16	30
6 - 10	22	40

- MULTIMODE OPTICAL FIBER SELECTION:**
- POSSIBLE FIBER TRANSMISSION IN THE RANGE:
ZLUV 180 - 1200 NM (NA=0.22; 0.26; LOWER NA ON REQUEST).
ZLWF 400 - 2200 NM (NA=0.22; 0.26; LOWER NA ON REQUEST).
ZLPUV 250 - 1100 NM (NA=0.37).
ZLPWF 400 - 2200 NM (NA=0.37).
 - STRESS PROOF LOAD 100KPSI.
 - FOR OTHER FIBER PARAMETERS PLEASE LOOK FIBER CATALOG.

FERRULES COULD BE MADE IN ACCORDANCE WITH CUSTOMER DRAWINGS

TITLE: YB2 - FIBER BUNDLE STANDARD Y - BUNDLE		
SIZE: A2	DRAWING NO.: YB2-001-00	REV.: A
FILE NAME: YB2-001-00.idw	ITEM NO.:	
COMPANY: Z-LIGHT, LTD.	CODE NO.:	
HOME PAGE: HTTP://WWW.Z-LIGHT.LV	ORDER NO.:	
SCALE: DO NOT SCALE	DIMENSIONS ARE IN MM	SHEET 1 OF 1