

CODE EXPLANATION

IB8- **1.1** / **3000** **R** - SMA / SMA- **GM**

ACTIVE DIAMETER "AD"
CUSTOMER DEFINED
IN [MILIMETERS] MAX. 2MM

TOTAL LENGTH "TL"
CUSTOMER DEFINED
IN [MILIMETERS]

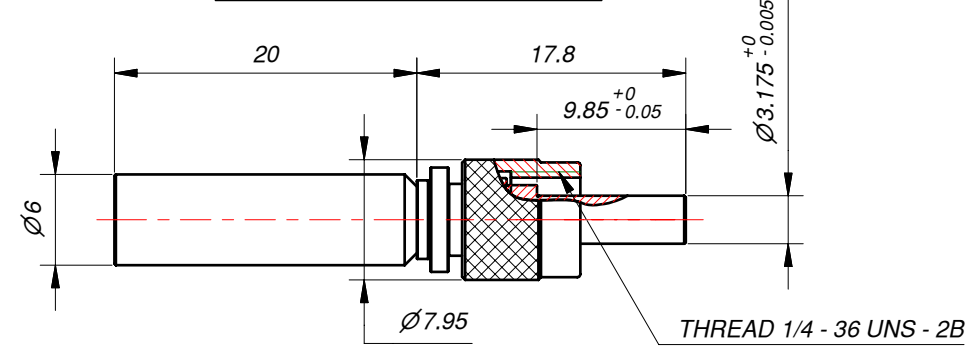
FIBERS JACKET ARE REMOVED

	NOT REMOVED
R	REMOVED

JACKETING TYPE

P	PVC
GM	GALVANIZED STEEL PVC MONOCOIL
SS	STAINLESS STEEL
S	SILICONE
CD	CUSTOMER DEFINED

STANDARD SMA-905 CONNECTOR



MULTIMODE OPTICAL FIBER SELECTION:

- POSSIBLE FIBER TRANSMISSION IN THE RANGE:
 ZLUV 180 - 1200 NM (NA=0.22; 0.26; LOWER NA ON REQUEST).
 ZLWF 400 - 2200 NM (NA=0.22; 0.26; LOWER NA ON REQUEST).
 ZLPUV 250 - 1100 NM (NA=0.37).
 ZLPWF 400 - 2200 NM (NA=0.37).
- STRESS PROOF LOAD 100KPSI.
- FOR OTHER FIBER PARAMETERS PLEASE LOOK FIBER CATALOG.

TITLE: IB8 - FIBER BUNDLE STANDARD I - BUNDLE		
SIZE: A3	DRAWING NO.: IB8-001-00	REV.: A
FILE NAME: IB8-001-00.idw	ITEM NO.:	
COMPANY: Z-LIGHT, LTD.	CODE NO.:	
HOME PAGE: HTTP://WWW.Z-LIGHT.LV	ORDER NO.:	
SCALE: DO NOT SCALE	DIMENSIONS ARE IN MM	SHEET 1 OF 1