

CODE EXPLANATION

IB6-2.2 / 1500 R - S3 / S3 - GM

ACTIVE DIAMETER "AD"  
CUSTOMER DEFINED  
IN [MILIMETERS]

TOTAL LENGTH "TL"  
CUSTOMER DEFINED  
IN [MILIMETERS]

FIBERS JACKET  
ARE REMOVED

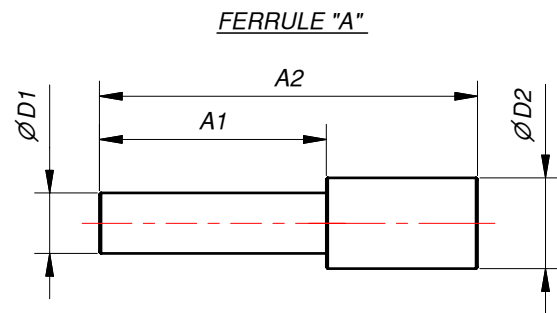
FERRULE "A" AND  
FERRULE "B" MATERIAL

S3	STAINLES STEEL
A	ALUMINIUM
BA	BLACK ALUMINIUM
P	PLASTIC
CD	CUSTOMER DEFINED

JACKETING TYPE

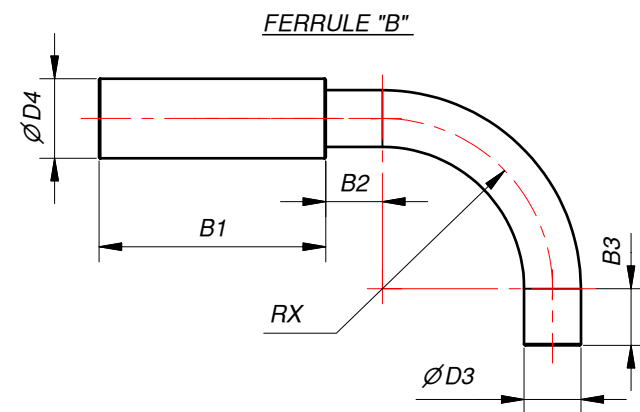
P	PVC
GM	GALVANIZED STEEL PVC MONOCOIL
SS	STAINLESS STEEL
S	SILICONE
CD	CUSTOMER DEFINED

	NOT REMOVED
R	REMOVED



CUSTOMER DEFINED DIMENSIONS  
FOR FERRULE "A" IN [MILIMETERS]

∅D1	∅D2	A1	A2



CUSTOMER DEFINED DIMENSIONS  
FOR FERRULE "B" IN [MILIMETERS]

∅D3	∅D4	B1	B2	B3	RX

MULTIMODE OPTICAL FIBER SELECTION:

- POSSIBLE FIBER TRANSMISSION IN THE RANGE:  
ZLUV 180 - 1200 NM (NA=0.22; 0.26; LOWER NA ON REQUEST).  
ZLWF 400 - 2200 NM (NA=0.22; 0.26; LOWER NA ON REQUEST).  
ZLPUV 250 - 1100 NM (NA=0.37).  
ZLPWF 400 - 2200 NM (NA=0.37).
- STRESS PROOF LOAD 100KPSI.
- FOR OTHER FIBER PARAMETERS PLEASE LOOK FIBER CATALOG.

FERRULES COULD BE MADE IN ACCORDANCE WITH CUSTOMER DRAWINGS

TITLE: <b>IB6 - FIBER BUNDLE STANDARD I - BUNDLE</b>		
SIZE: <b>A3</b>	DRAWING NO.: <b>IB6-001-00</b>	REV.: <b>A</b>
FILE NAME: IB6-001-00.idw	ITEM NO.:	
COMPANY: Z-LIGHT, LTD.	CODE NO.:	
HOME PAGE: HTTP://WWW.Z-LIGHT.LV	ORDER NO.:	
SCALE: DO NOT SCALE	DIMENSIONS ARE IN MM	SHEET 1 OF 1