

CODE EXPLANATION

IB5- 2.2 / 1500 R - S3 / S3 - GM

ACTIVE DIAMETER "AD"
CUSTOMER DEFINED
IN [MILIMETERS]

TOTAL LENGTH "TL"
CUSTOMER DEFINED
IN [MILIMETERS]

FERRULE "A" AND
FERRULE "B" MATERIAL

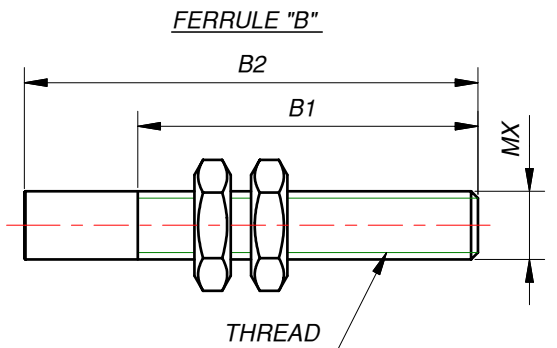
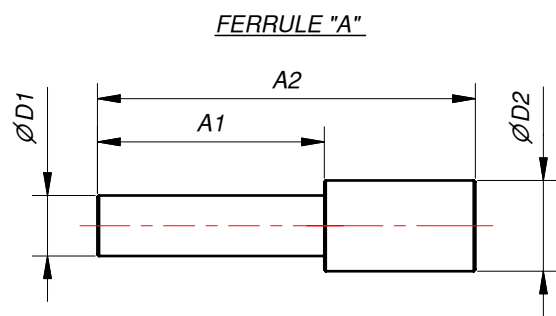
S3	STAINLES STEEL
A	ALUMINIUM
BA	BLACK ALUMINIUM
P	PLASTIC
CD	CUSTOMER DEFINED

JACKETING TYPE

P	PVC
GM	GALVANIZED STEEL PVC MONOCOIL
SS	STAINLESS STEEL
S	SILICONE
CD	CUSTOMER DEFINED

FIBERS JACKET
ARE REMOVED

	NOT REMOVED
R	REMOVED



CUSTOMER DEFINED DIMENSIONS
FOR FERRULE "A" IN [MILIMETERS]

ØD1	ØD2	A1	A2

CUSTOMER DEFINED DIMENSIONS
FOR FERRULE "B" IN [MILIMETERS]

THREAD	B1	B2

FERRULES COULD BE MADE IN ACCORDANCE WITH CUSTOMER DRAWINGS

MULTIMODE OPTICAL FIBER SELECTION:

- POSSIBLE FIBER TRANSMISSION IN THE RANGE:
 ZLUV 180 - 1200 NM (NA=0.22; 0.26; LOWER NA ON REQUEST).
 ZLWF 400 - 2200 NM (NA=0.22; 0.26; LOWER NA ON REQUEST).
 ZLPUV 250 - 1100 NM (NA=0.37).
 ZLPWF 400 - 2200 NM (NA=0.37).
- STRESS PROOF LOAD 100KPSI.
- FOR OTHER FIBER PARAMETERS PLEASE LOOK FIBER CATALOG.

TITLE: **IB5 - FIBER BUNDLE
STANDARD I - BUNDLE**

SIZE: A3	DRAWING NO.: IB5-001-00	REV.: A
FILE NAME: IB5-001-00.idw	ITEM NO.:	
COMPANY: Z-LIGHT, LTD.	CODE NO.:	
HOME PAGE: HTTP://WWW.Z-LIGHT.LV	ORDER NO.:	
SCALE: DO NOT SCALE	DIMENSIONS ARE IN MM	SHEET 1 OF 1